

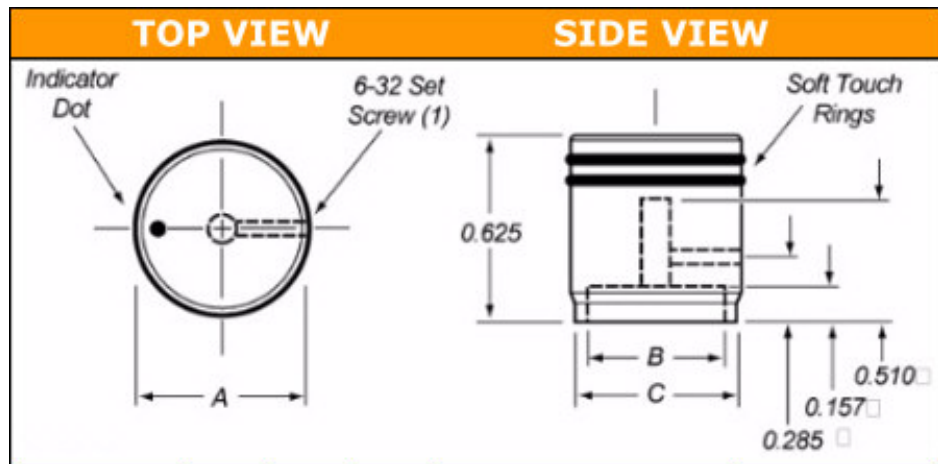
ML SERIES



ML90 - Black Gloss, ML75 - Black Matte & Clear Gloss, ML50 - Clear Matte

ML Series: Two exclusive "soft-touch" rings on the outside diameter of the "ML Series" knob, allows the user to "feel" the sensitive movement of this knob. Indicator "dot" located on top of knob. Single 6-32 set screw.

Mechanical Specifications:



MODEL	A	B	C	COLOR CHOICE	SHAFT
50	.500	.375	.445	1 - CLEAR GLOSS	5 - .250
75	.750	.590	.695	2 - BLACK GLOSS	6mm - 6mm
90	.925	.708	.882	3 - CLEAR MATTE	6 - .125
				4 - BLACK MATTE	

contact:



1952 Ironton Blvd
Provo, UT 84606
USA

TEL 801.377.5530
FAX 801.377.5573